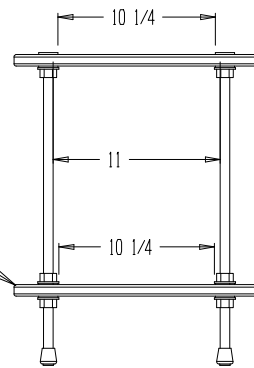
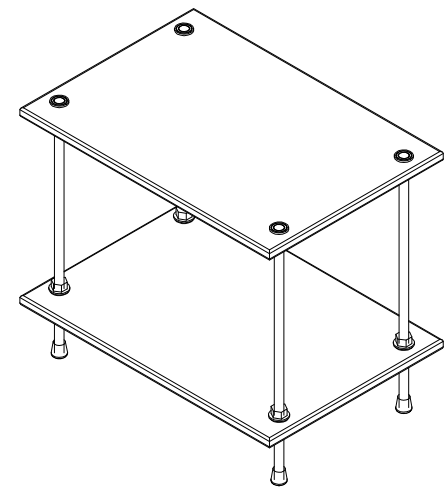


STANDARD FEET
SHOWN

1 ADJUSTABLE
SHELF



REVISIONS			
REV	DESCRIPTION	DATE	APPROVED
00	RELEASE	12/29/98	



SALAMANDER CONFIDENTIAL AND PROPRIETARY

THIS SALAMANDER DOCUMENT CONTAINS PROPRIETARY AND CONFIDENTIAL INFORMATION OF SALAMANDER DESIGNS LTD.. IT IS LOANED ON CONDITION THAT IT AND THE INFORMATION THERIN SHALL NOT BE USED BY RECIPIENT NOR BE DISCLOSED TO OTHERS EXCEPT AS EXPRESSLY APPROVED BY SALAMANDER DESIGNS LTD. ANY DOCUMENT CONTAINING SUCH INFORMATION SHALL BE RETURNED ON REQUEST.



TOLERANCES:
DECIMALS:
XX +/- .02
XXX +/- .005
ANGLES +/- 1/2 DEG

SALAMANDER DESIGNS LTD.
HARTFORD, CT 06106

DESCRIPTION
OUTLINE: ARCHETYPE 2.0

DRAWN BY	DATE	SIZE B	LEVEL	DWG NO. N/A	REV 00
APPROVED	DATE	SCALE N/A	FILE	SHEET 1 OF 1	