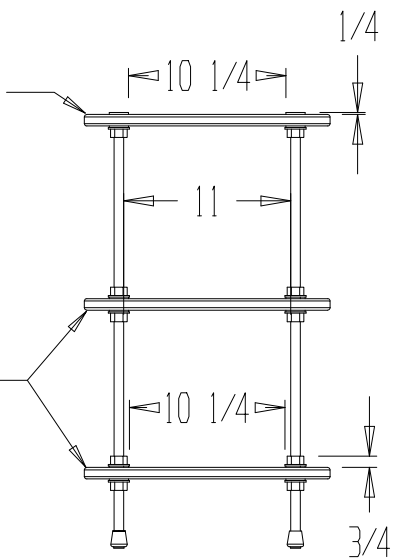
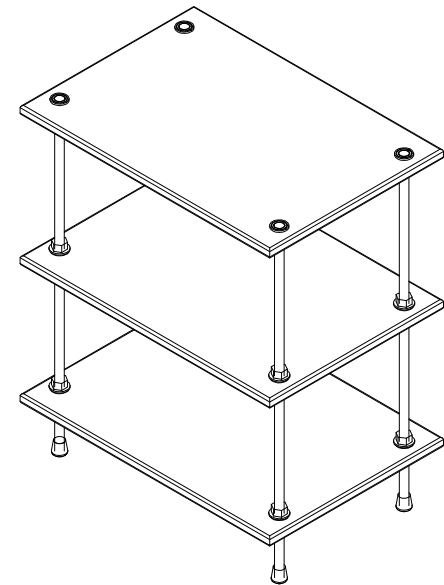


ALL SHELVES
3/4" THICK

2 ADJUSTABLE
SHELVES



REVISIONS			
REV	DESCRIPTION	DATE	APPROVED
00	RELEASE	12/29/98	



SALAMANDER CONFIDENTIAL AND PROPRIETARY

THIS SALAMANDER DOCUMENT CONTAINS PROPRIETARY AND CONFIDENTIAL INFORMATION OF SALAMANDER DESIGNS LTD.. IT IS LOANED ON CONDITION THAT IT AND THE INFORMATION THERIN SHALL NOT BE USED BY RECIPIENT NOR BE DISCLOSED TO OTHERS EXCEPT AS EXPRESSLY APPROVED BY SALAMANDER DESIGNS LTD. ANY DOCUMENT CONTAINING SUCH INFORMATION SHALL BE RETURNED ON REQUEST.



TOLERANCES: DECIMALS: XX +/- .02 XXX +/- .005 ANGLES +/- 1/2 DEG		SALAMANDER DESIGNS LTD. HARTFORD, CT 06106	
DRAWN BY		DESCRIPTION OUTLINE: ARCHETYPE 3.0	
DATE	SIZE B	LEVEL	DWG NO. N/A
APPROVED	SCALE N/A	FILE	REV 00
		SHEET 1 OF 1	