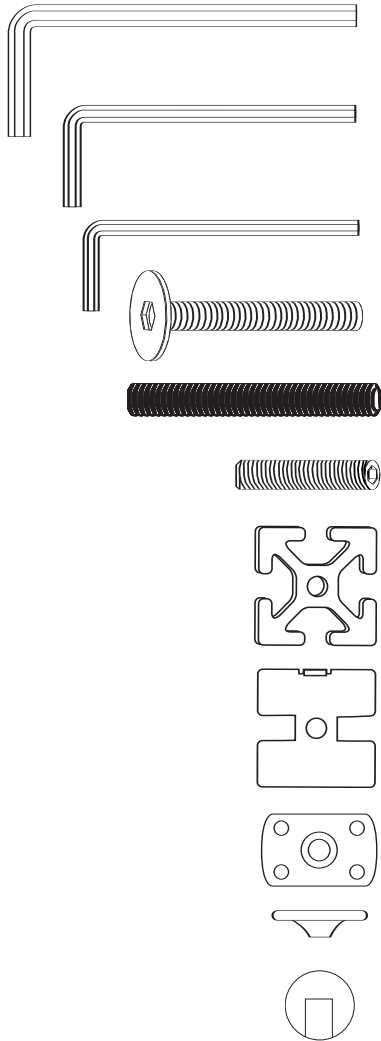


SYNERGY WALL ASSEMBLY INSTRUCTIONS

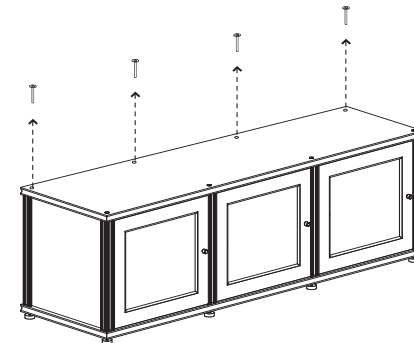


Hardware	Triple Wall	Quad Wall
3/16" Hex Key 400-060	1x	1x
5/32" Hex Key 400-080	1x	1x
1/8" Hex Key 400-070	1x	1x
Joint Connector Bolt 300-540	2x	3x
Extension Stud 300-450	4x	5x
Cup Point Screw 300-505	2x	2x
Felt Pads 300-260	4x	5x
Metal Spacer Tabs 302-060	2x	3x
Flat Nuts 300-560	2x	2x
Caplugs 301-280	4x	6x
Grommet Cover 301-785	1x	1x

Parts	Triple	Quad
37.75" Posts (A)	4x	5x
37.75" Posts w/Holes (B)	2x	2x
Top Shelf	1x	1x
Rear Panels	3x	4x
Side Panels	2x	2x
Adapter Plates	2x	2x

Before You Begin

If you have an assembled Synergy Base you must first remove the connector bolts securing the top shelf using the 3/16" hex key and set aside for Step 6.



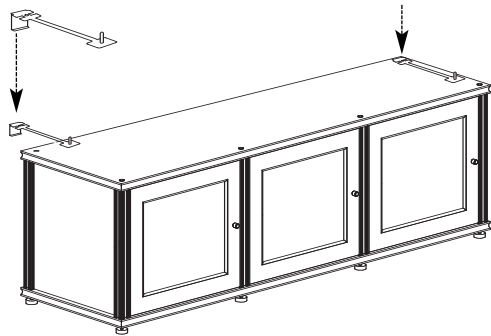
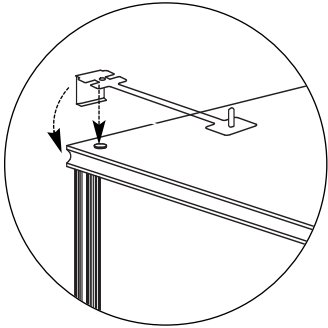
Limited Warranty

For five full years Salamander Designs Ltd will repair or replace, at our option, any product defective in materials or craftsmanship. Salamander Designs Ltd. will not be responsible for any damage to or destruction of other equipment consequential to our equipment failure. Defective product must be given Return Authorization and is to be returned to the factory prepaid, in the original carton and packing material. Any damage incurred in a shipment not in original packaging shall be the responsibility of the owner. Warranty repairs will be returned prepaid, via UPS within the continental U.S.A. only.



1 Adapter Plates

- A.** Place an adapter plate at each end of the base unit. Be sure to align the bracket with the holes as shown.

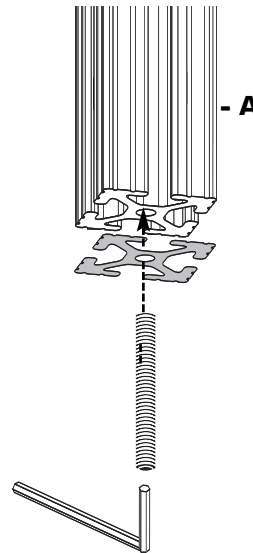


2 Install Posts

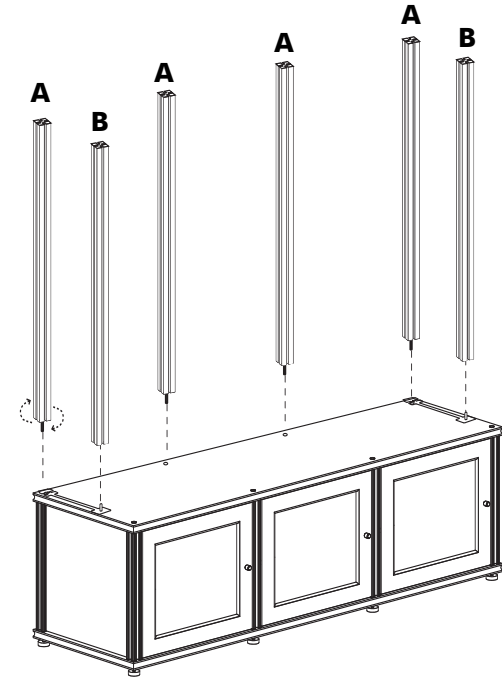
- A.** Screw threaded studs into the ends of all A posts. Tighten with hex key. Stick felt pads to underside of post, this will prevent marring the surface of the top shelf.

Screw the rear posts through the panel and into the bottom posts.

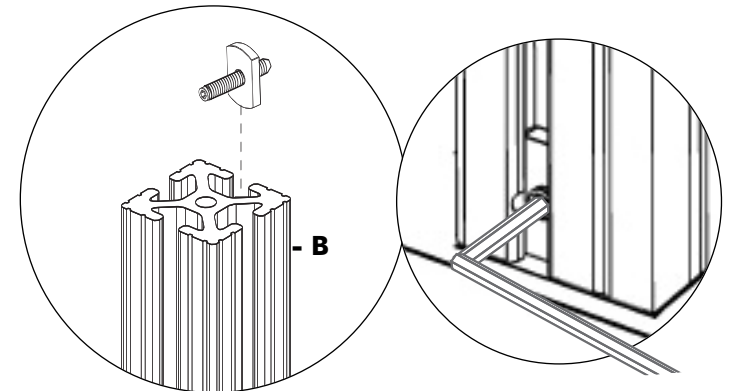
Do not over tighten.



- B.** Place the two front posts onto the bracket. Be sure to square the posts with the shelf.



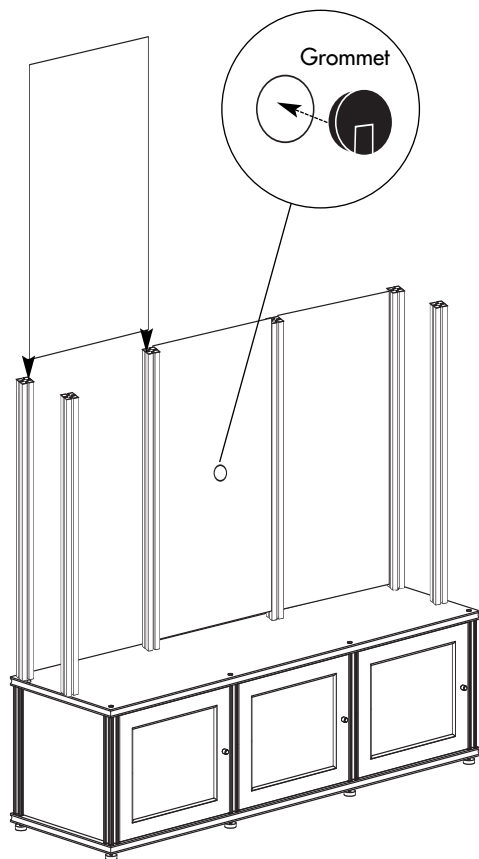
Assemble 2 flat nuts with 2 set screws and slide down the 2 front posts. Place screw through the hole in the post and tighten.



3 Rear Panels

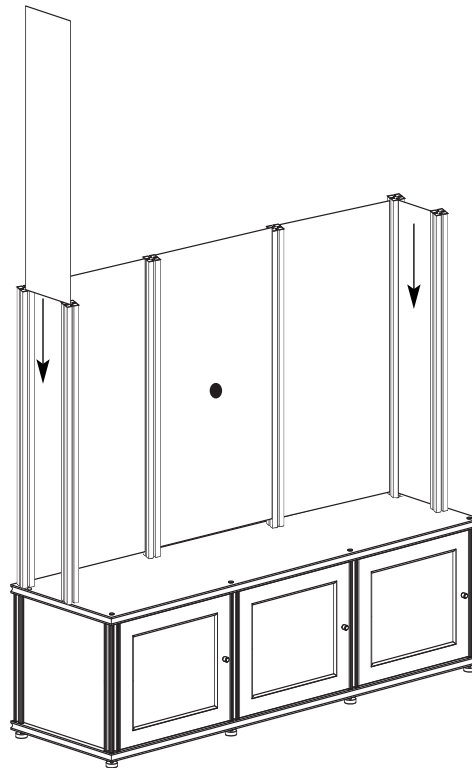
Slide the rear panels down the rear posts.
Place rear panel with grommet in the center.


Attach Grommet to rear panel.



4 Side Panels

Slide the perforated steel side panels down the outer posts.




**INSTALLING
FLAT-PANEL TV MOUNT**
Refer to PM300 Wall Mount
Assembly Instructions before
proceeding to step 6.

5 Top Panel

Place metal spacer tabs on top of the 2 (Triple), 3 (Quad)
rear, center posts.

Secure the top panel in place using the connector bolts
and 3/16" hex key.

Press caplugs into the top and bottom of center holes to
complete installation.

