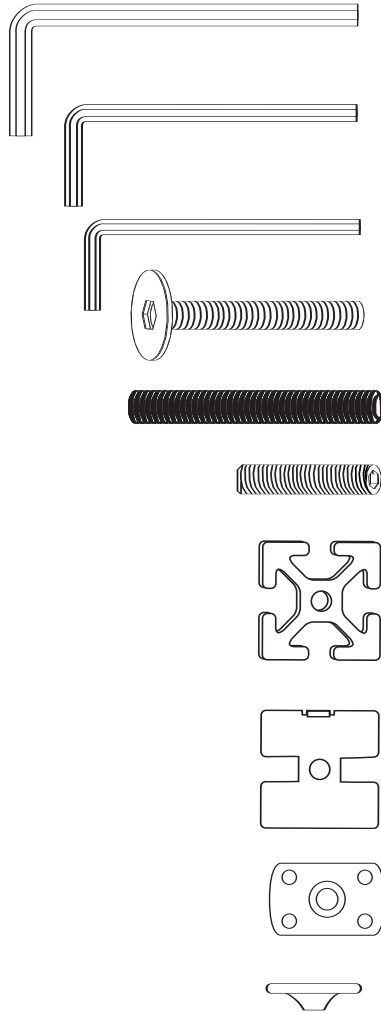


SYNERGY HUTCH ASSEMBLY INSTRUCTIONS



Hardware	Triple Wall	Quad Wall
3/16" Hex Key 400-060	1x	1x
5/32" Hex Key 400-080	1x	1x
5/32" Hex Key 400-080	1x	1x
Joint Connector Bolt 300-540	2x	3x
Joint Connector Stud 300-450	4x	5x
Cup Point Screw 300-510	2x	2x
Felt Pads 300-260	4x	5x
Metal Spacer Tabs 302-060	2x	3x
Flat Nuts 300-560	2x	2x
Caplugs 301-280	4x	6x

Parts

	Triple Hutch	Quad Hutch
37.75" Posts	4x	4x
37.75" Posts w/Holes	4x	4x
Aluminum Posts	6x	7x
Top Shelf	1x	1x
Rear Panels	3x	4x
Side Panels	2x	2x
Adapter Plates	2x	3x



WARNING: If you are installing accessories such as doors, read all instructions for the accessory and install in conjunction with these instructions.

Limited Warranty

For five full years Salamander Designs Ltd will repair or replace, at our option, any product defective in materials or craftsmanship. Salamander Designs Ltd. will not be responsible for any damage to or destruction of other equipment consequential to our equipment failure. Defective product must be given Return Authorization and is to be returned to the factory prepaid, in the original carton and packing material. Any damage incurred in a shipment not in original packaging shall be the responsibility of the owner. Warranty repairs will be returned prepaid, via UPS within the continental U.S.A. only.



Salamander Designs Ltd. 800-535-5659

©2005 Salamander Designs Ltd.

www.SalamanderDesigns.com

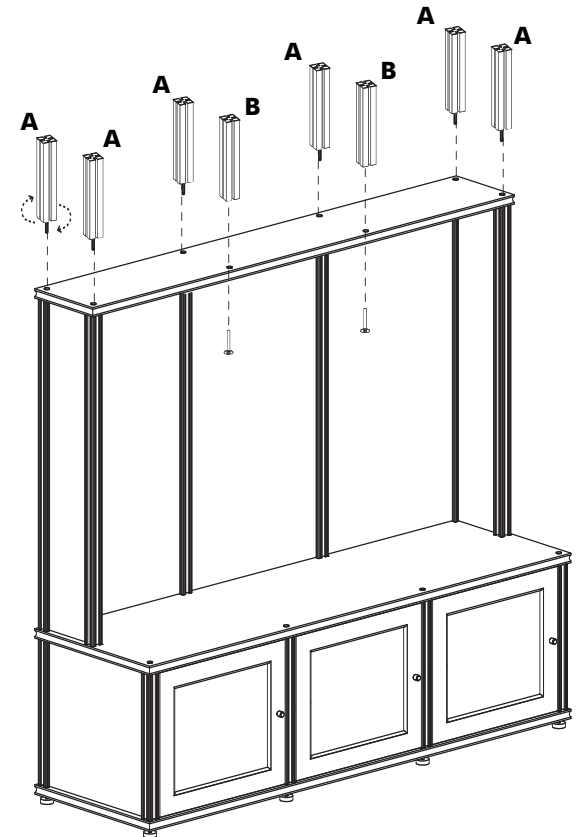
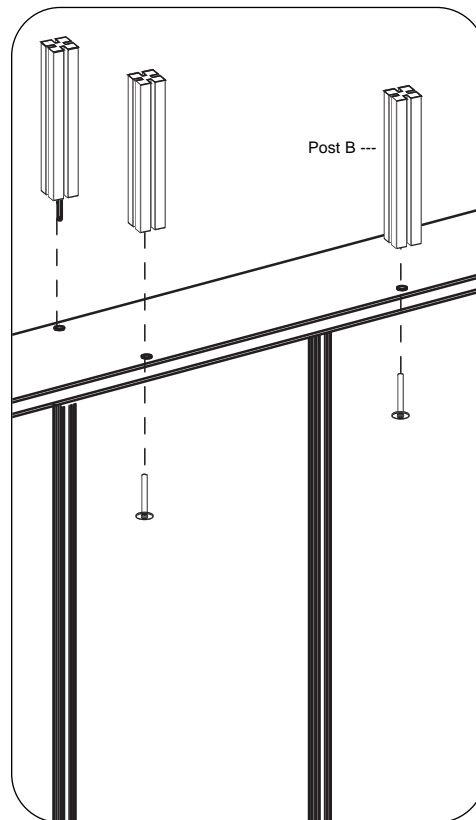
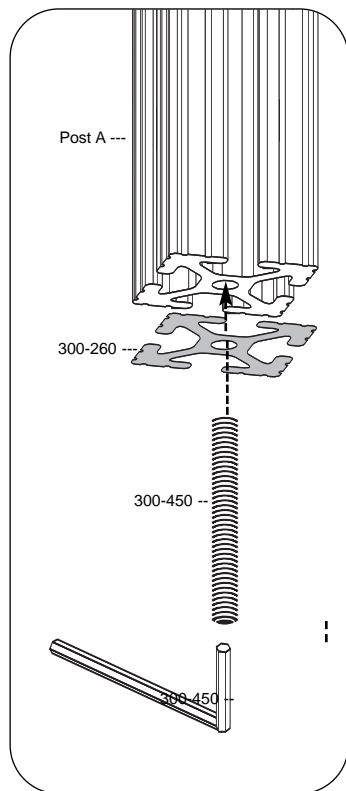
Doc.# 500-960 v 7.05 / 1 of 3

1 Attach Hutch Post

A. Screw threaded studs into the ends of 6 posts (TRIPLE), 7 posts (QUAD). Tighten with 5/32" hex key. Stick felt pads to underside of ALL posts, this will prevent marring the surface of the top shelf.

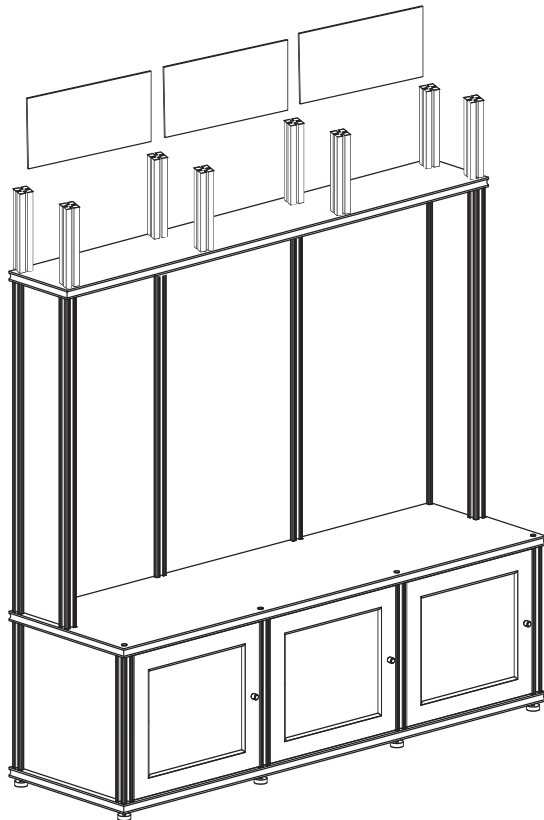
B. Screw the rear and side posts through the panel and into the bottom posts. Be sure to square the post with the shelf. Do not over tighten.

Align the front center posts with shelf and screw in place from underside using the Joint Connector Bolts.



2 Rear Panels

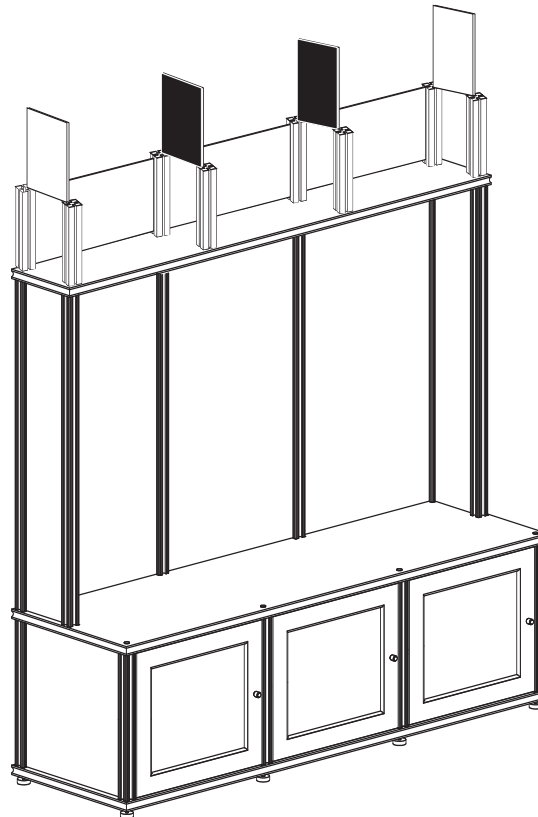
Slide the rear panels down the rear posts.



3 Side Panels

Slide the wood panels down the outer posts.

Optional: black panels are inserted down the center posts to enclose interior of cabinet.



4 Top Panel

Secure the top panel in place using the connector bolts and 3/16" hex key.

