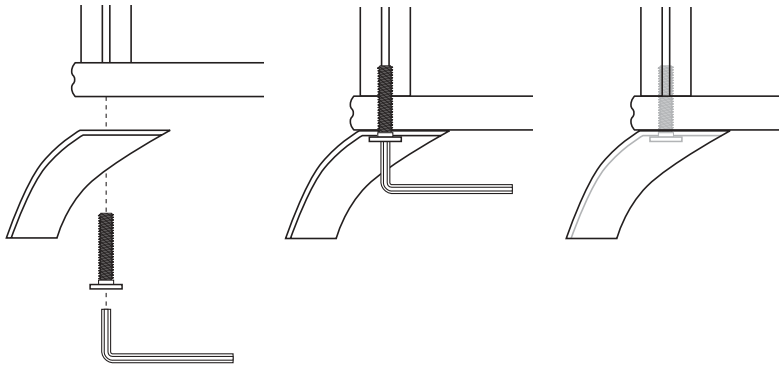


SYNERGY ALUMINUM FEET - SA/AF

Note: Polished feet can be attached to already assembled units by removing all equipment from racks then by detaching the standard feet and attaching the polished feet one at a time.

1 Attaching Feet to Bottom Shelf

- A.** Slip a bolt through the bottom of each foot and through the bottom shelf.
- B.** Secure screw into the aluminum post.
- C.** Tighten using the provided hex wrench. Don't tighten completely until feet are angled in appropriate direction



2 Adjust Feet Angles

Note: Polished feet can be attached to already assembled units by removing all equipment from racks then by detaching the standard feet and attaching the polished feet one at a time.

