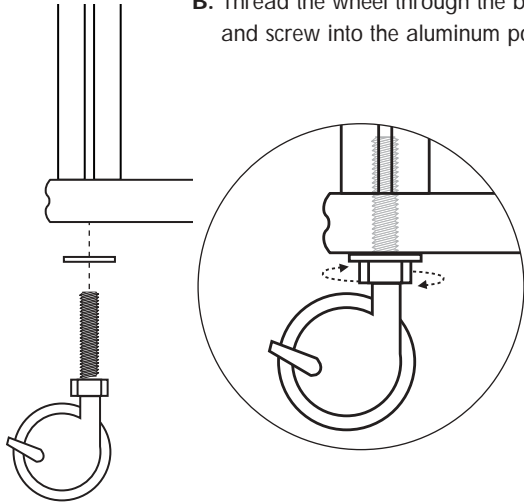


SYNERGY SATURN WHEELS - SA/C

Note: Saturn Wheels can be attached to already assembled units by removing all equipment from racks then by detaching the standard feet and attaching the Saturn Wheels one at a time.

1 Attaching Wheels

- A. Place the flat metal washer on the wheel
- B. Thread the wheel through the bottom shelf and screw into the aluminum post.



2 Positioning Wheels

Make sure to position the two wheels with brakes on the front of the unit for easy access. The wheels with brakes can be easily identified by having a small lever that locks and unlocks the wheel from turning.

