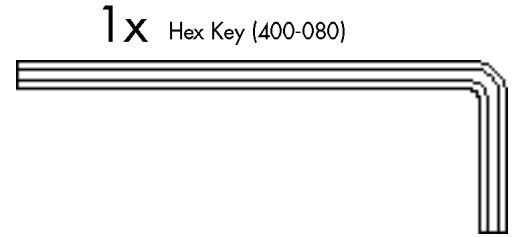
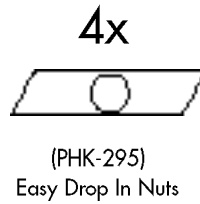
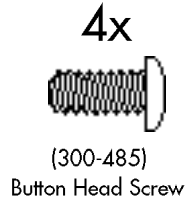
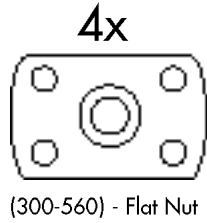


SYNERGY PULL-OUT SHELF - SA/PS

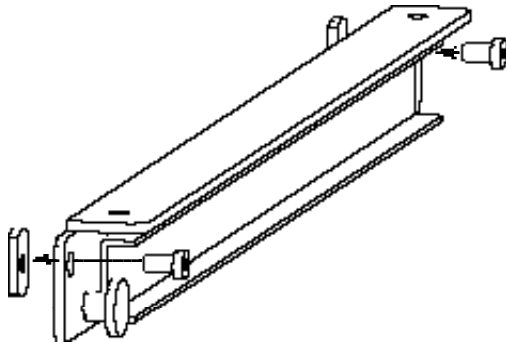
Parts

- 1 - Pull-Out Shelf
- 2 - Shelf Slides

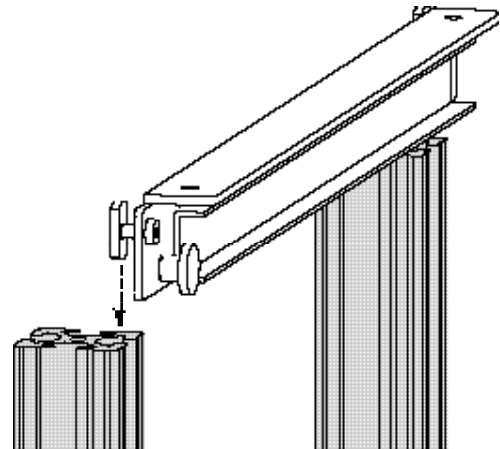


1. Place the Button Head Screw in the 2 holes of each slide and attach loosely.

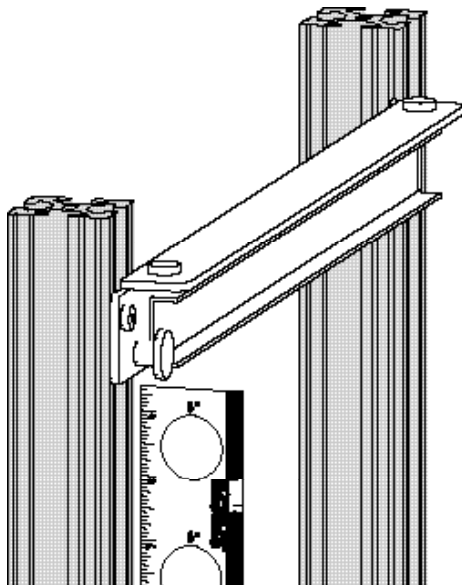
** If you are adding the shelf to an existing rack use the Drop-In-Nuts (enclosed with instructions).*



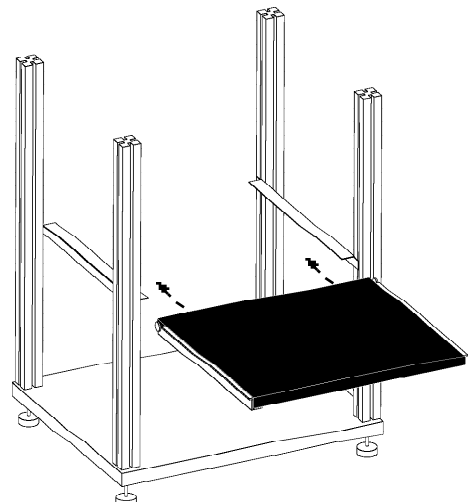
2. Insert the Flat Nuts into the channels making sure that the rollers face the front of the rack.



3. Use the Spacer Tool (provided with base unit) to help space the shelves as desired.



4. Slide shelf into slides. Use the bubble level to precisely adjust the shelf. Be sure to level both side to side as well as front to back. Use the Hex Key to tighten each screw.



Limited Warranty

For five full years Salamander Designs Ltd. will repair or replace, at our option, any product defective in materials or craftsmanship. Salamander Designs Ltd. will not be responsible for any damage to or destruction of other equipment consequential to our equipment failure. Defective product must be given Return Authorization and is to be returned to the factory prepaid, in the original carton and packing material. Any damage incurred in a shipment not in original packaging shall be the responsibility of the owner. Warranty repairs will be returned prepaid, via UPS within the continental U.S.A. only. **Salamander Designs Ltd. • 800-535-5659 • www.SalamanderDesigns.com**